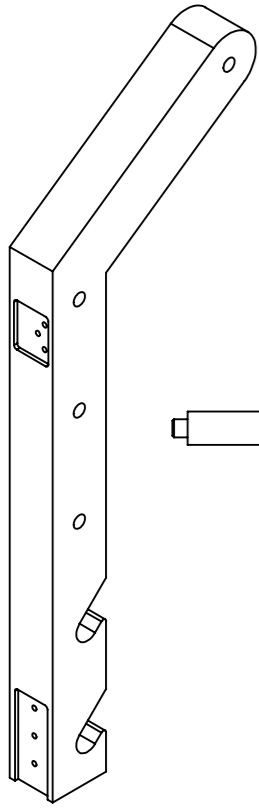
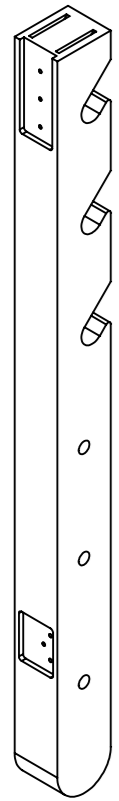


LIST OF KIT ELEMENTS

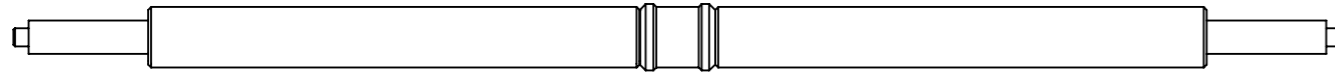
SCALA AdvancePlus



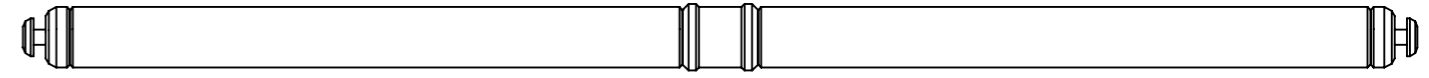
Beam A
2 pcs



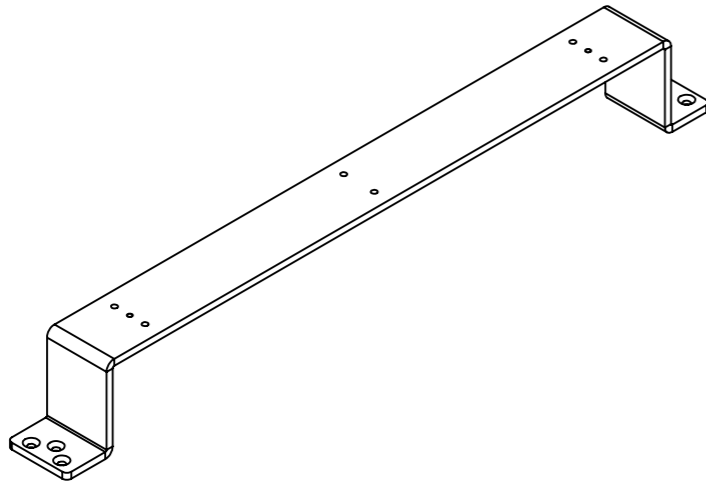
Beam B
2 pcs



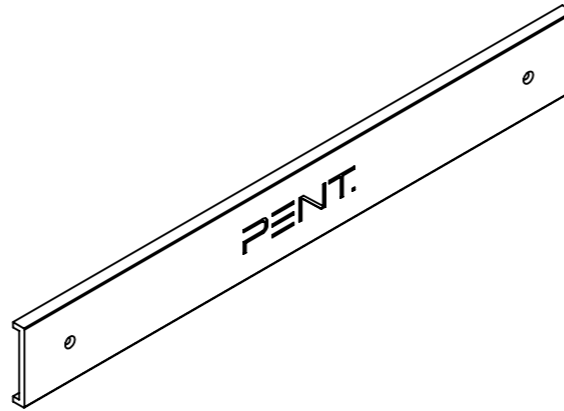
Permanent rung
7 pcs



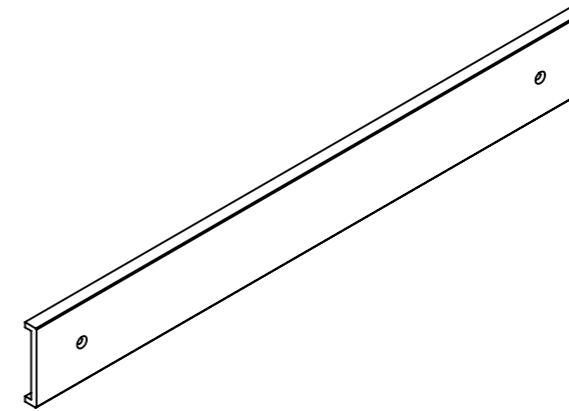
Removable rung
5 pcs



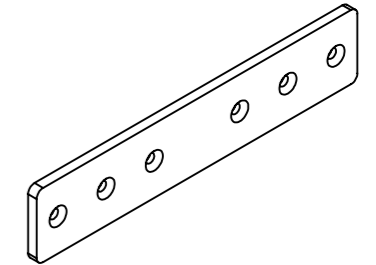
Mounting element
2 pcs



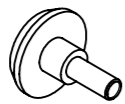
Engraved Decorative Cover
1 pc



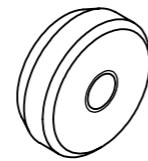
Decorative Cover
1 pc



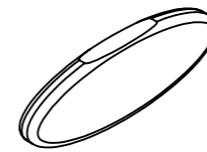
Steel Beam Fastener
2 pcs



Decorative Cover
4 pcs



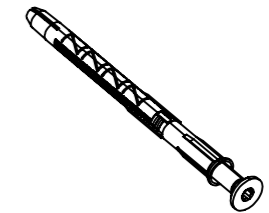
Tracery
Without a hole for a Decorative Cover
10 pcs



Biscuit
4 pcs



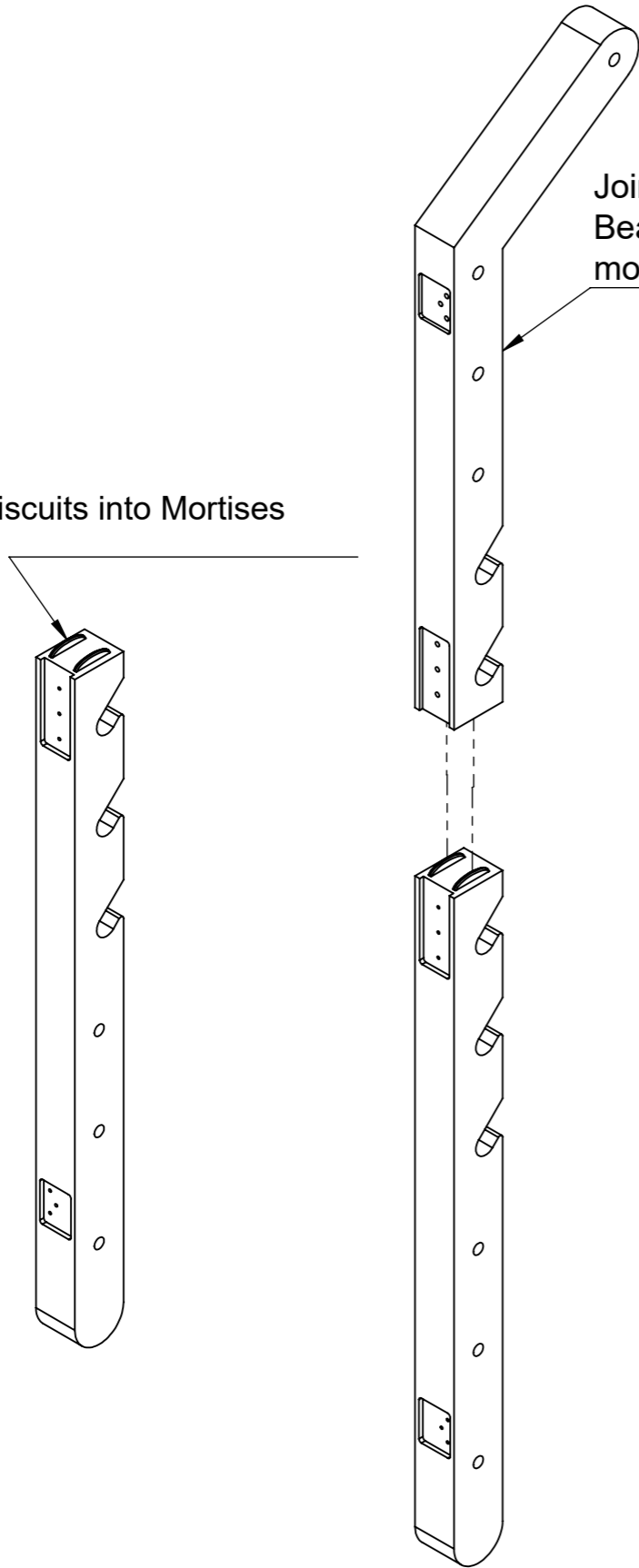
Countersunk Head Screw
M6x25 - 24 pcs
M6x15 - 4 pcs



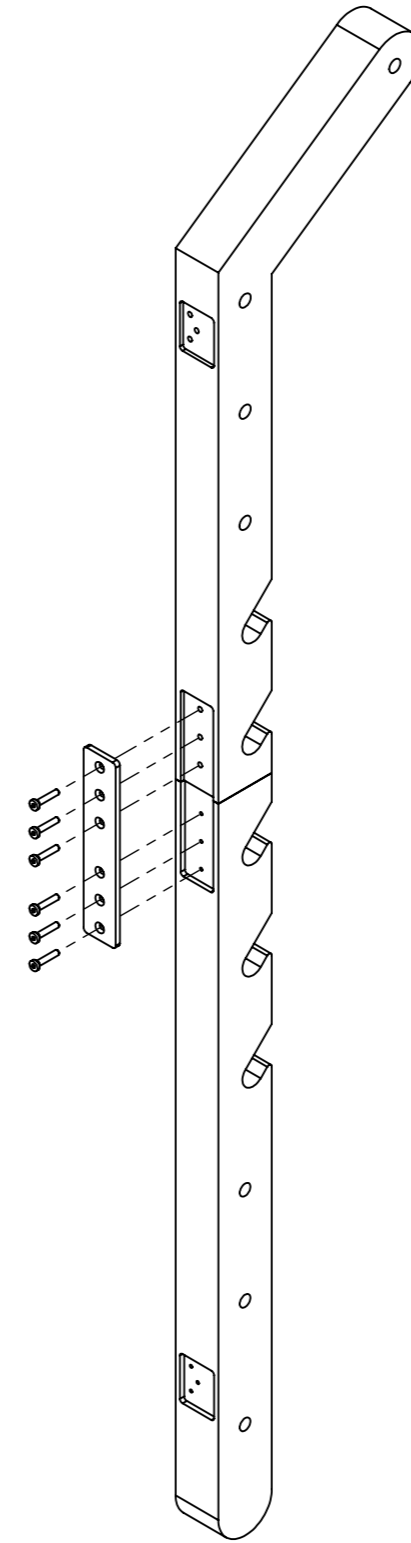
Wall Plug
M8x80 for concrete walls
12 pcs

STEP 1

Place Biscuits into Mortises

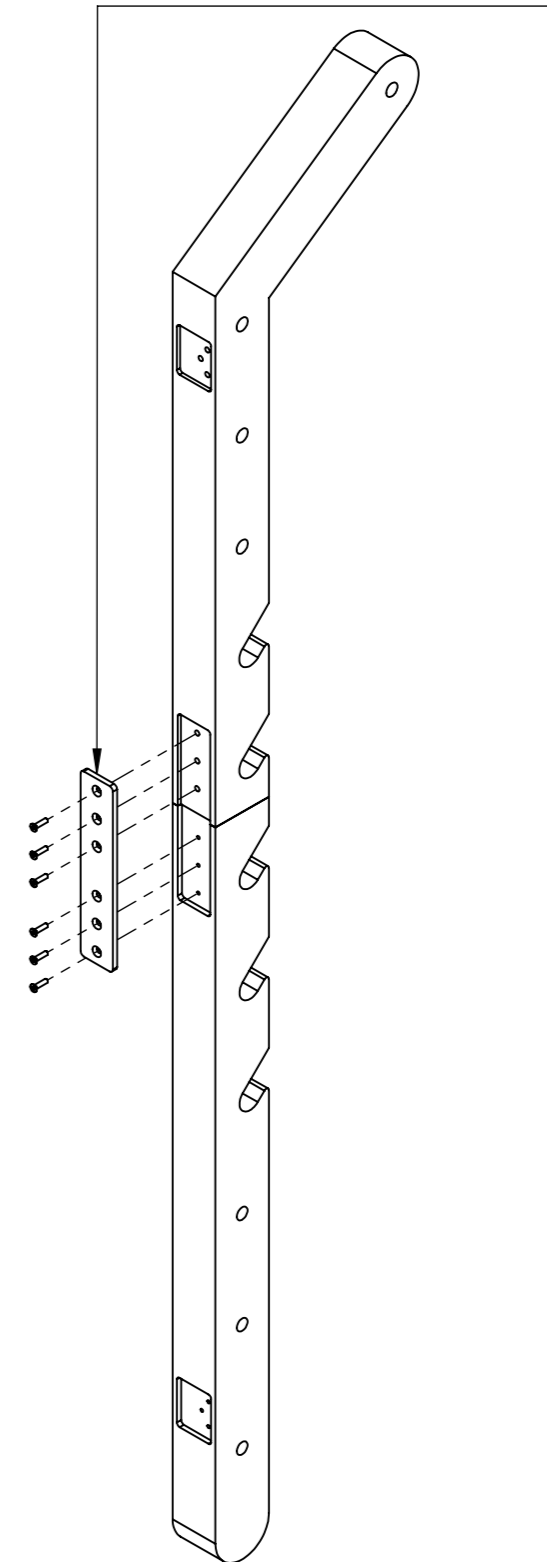


Join Beam A with Beam B by aligning mortises and biscuits



STEP 2

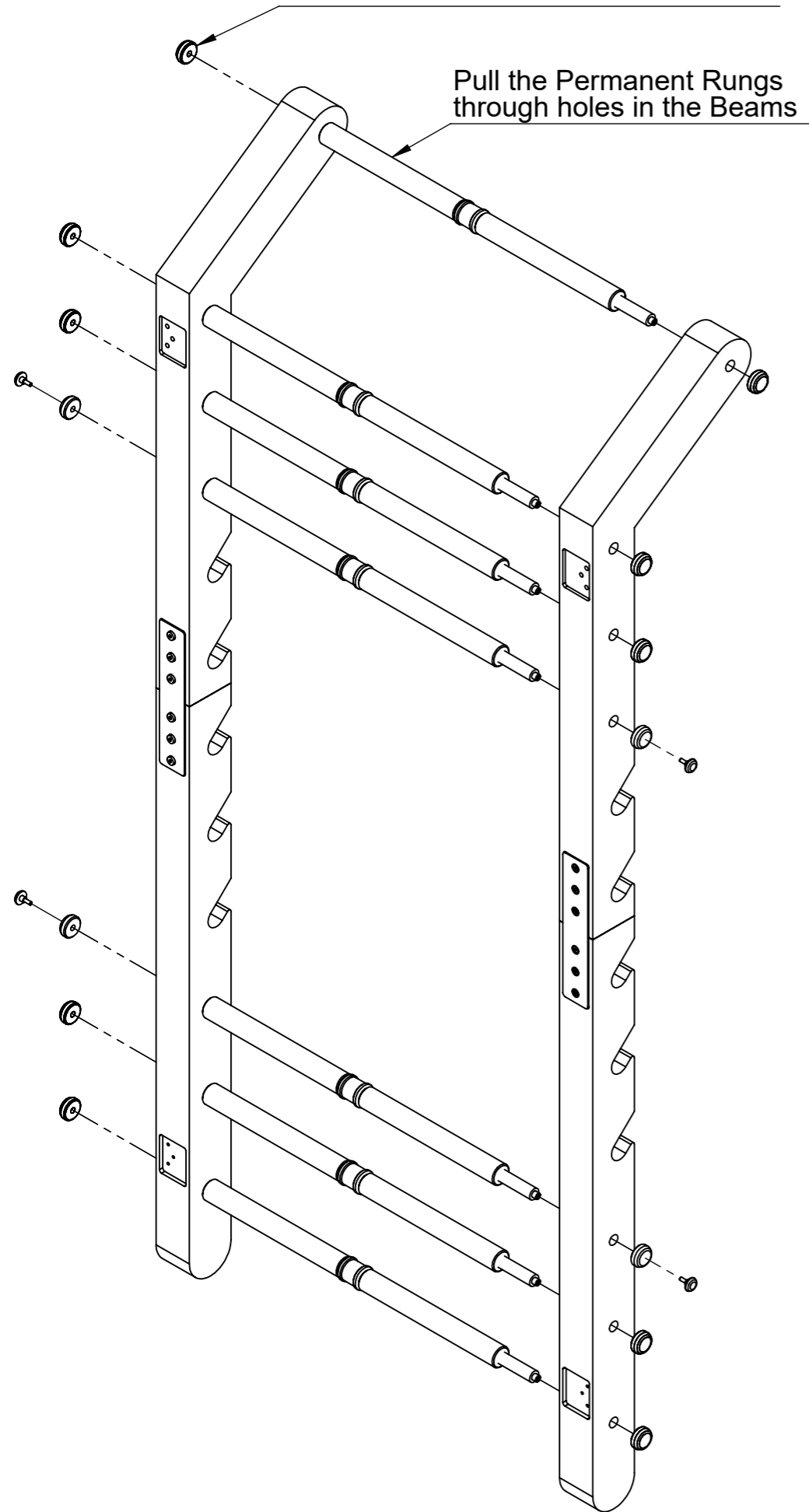
Screw the Steel Fasteners to the Beams with Countersunk Head Screws M6x25



STEP 3

Secure the Rungs by tightening the outside Tracery

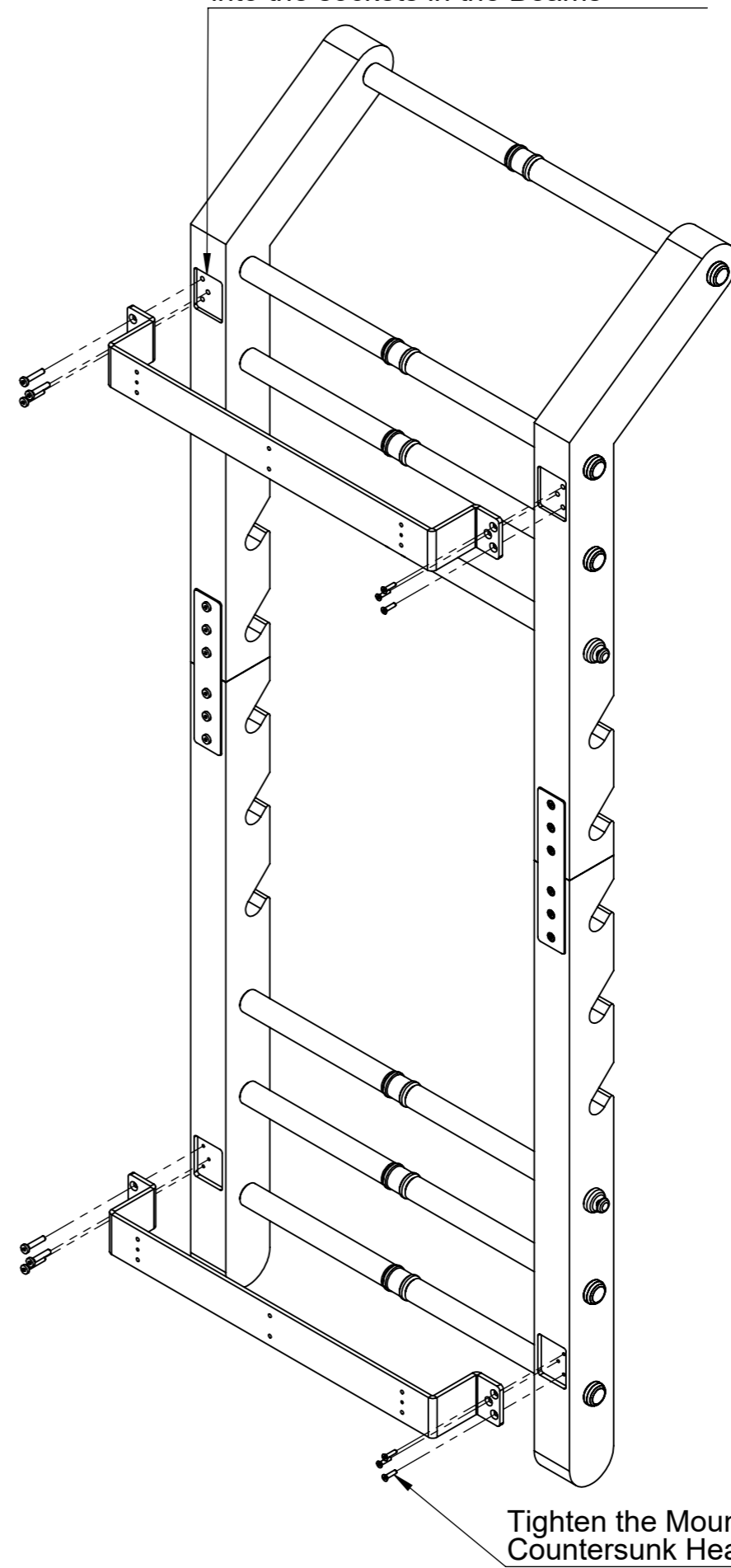
Pull the Permanent Rungs through holes in the Beams



STEP 4

Fit Top and Bottom Mounting Element into the sockets in the Beams

Tighten the Mounting Elements to the Beams with Countersunk Head Screws M6x25

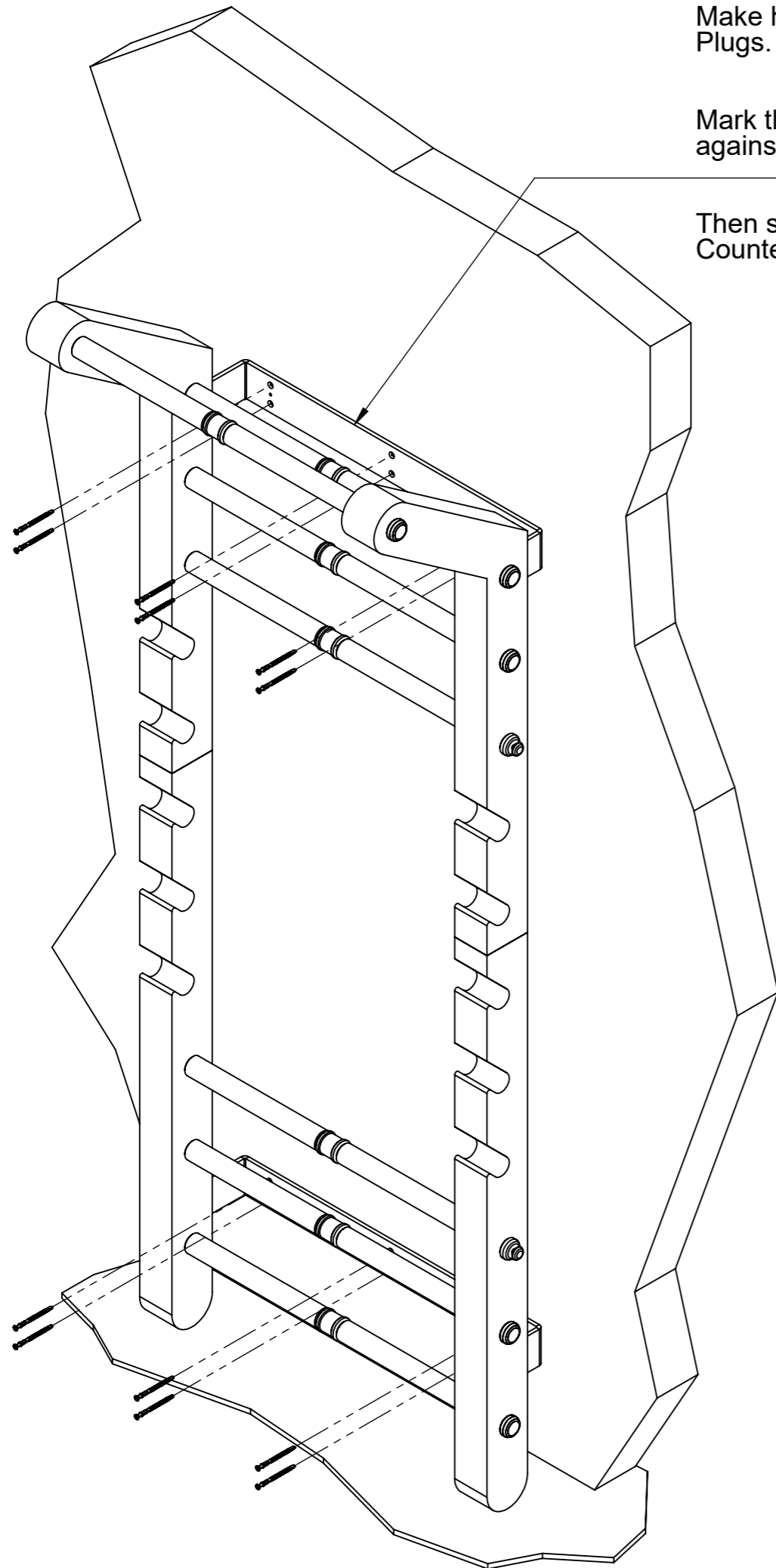


STEP 5

Make holes in the wall to place Wall Plugs.

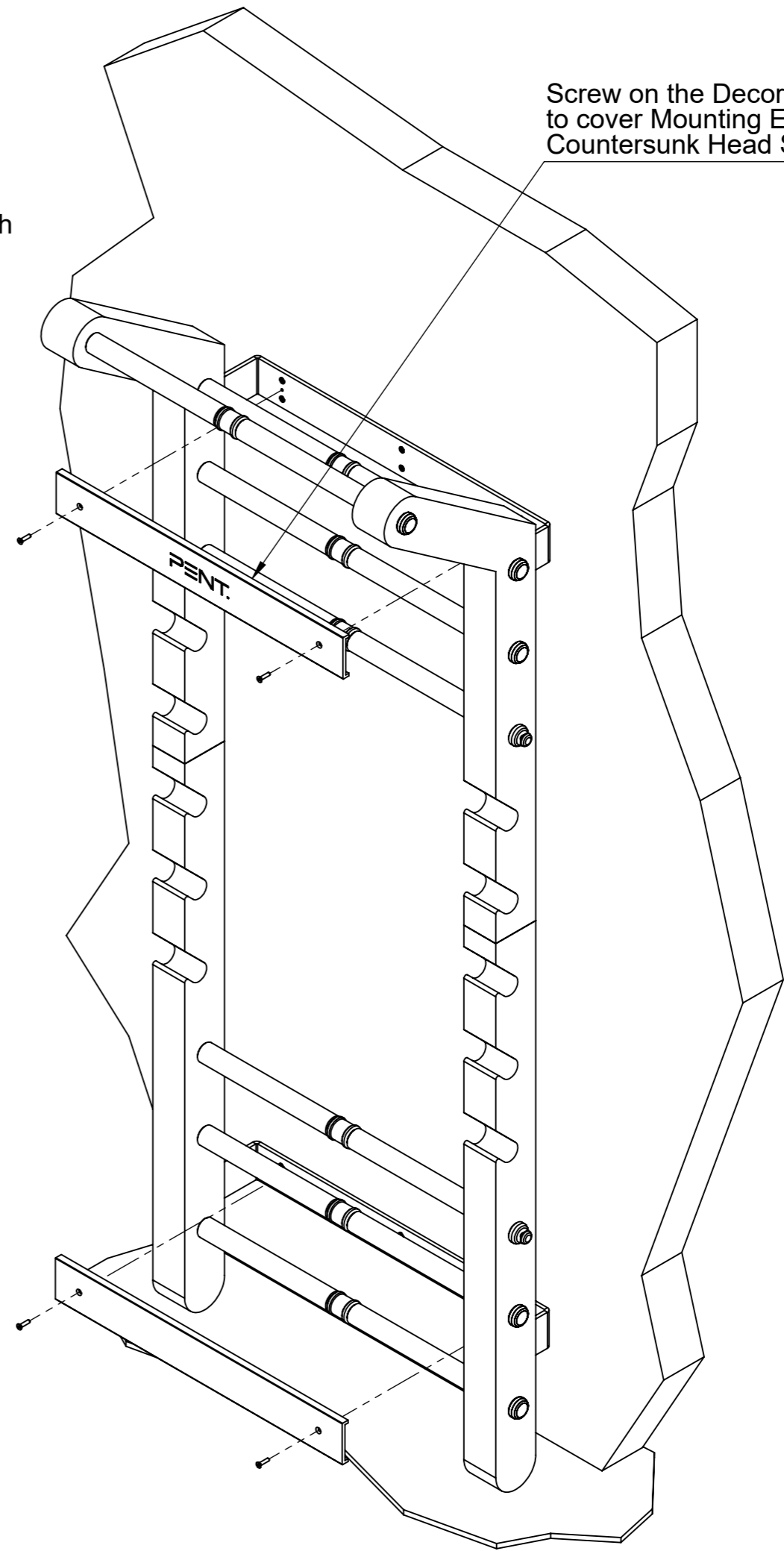
Mark the holes by placing a ladder against the wall.

Then screw the ladder to the wall with Countersunk Head Screws M8x80

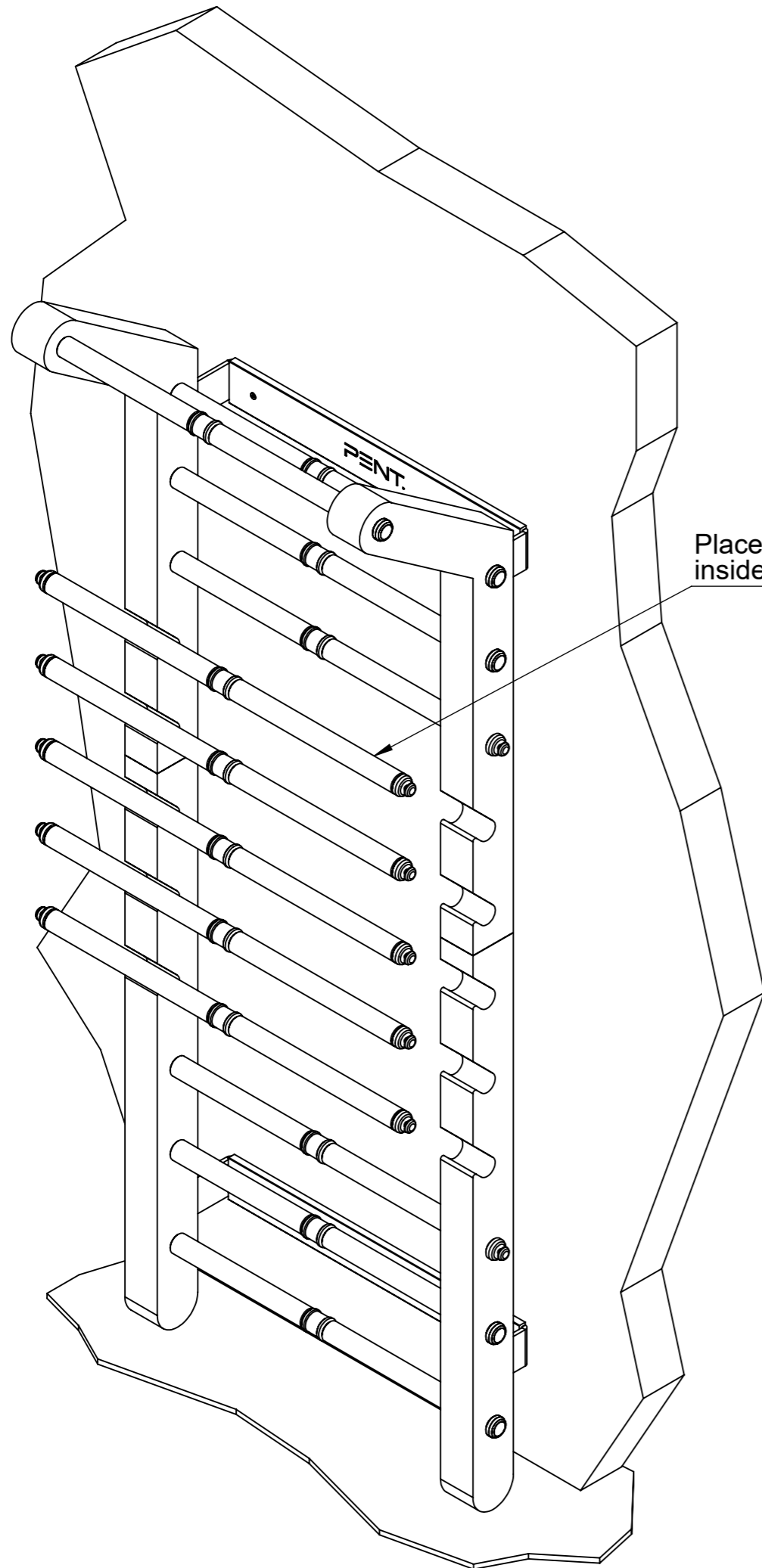


STEP 6

Screw on the Decorative Elements to cover Mounting Elements with Countersunk Head Screws M6x15



STEP 7



Place the Removable Rungs
inside slots in Beams

FINISHED ASSEMBLY

